



F-400

DSX

CADSX

400°C/2h centrifugal belt-driven fans and extraction units to work outside fire danger zones with backward-curved impeller

DSX: 400°C/2h centrifugal belt-driven fans with backward-curved impeller.

Fan:

- Steel sheet casing
- Impeller with backward-curved blades made from sheet steel
- Protective anti-contact guard

Finish:

- Anticorrosive galvanized sheet steel.

CADSX: 400°C/2h belt-driven extraction units with backward-curved impeller.

Motor:

- Motors with IE-2 efficiency, except for motors with lower powers than 0.75 kW, monophasic motors or two-speed motors
- Class F motors with ball bearings, IP55 protection
- Three-phase 230/400V.-50Hz. (up to 5.5CV.) and 400/690V.-50Hz. (power over 5.5CV.)
- Max. temperature of air for transport: S1 Service -20°C to + 150°C for ongoing use, S2 Service 200°C/2h, 300°C/2h and 400°C/2h

On request:

- Special windings for different voltages
- Fan designed to transport air up to 250°C
- ATEX certification, Category 2
- Fans with two-speed motor.

Technical characteristics

Model	Speed (r/min)	Maximum admissible			Installed Power (kW)	Maximum Airflow (m³/h)	Approx. weight (kg)
		(A) 230V	400V	690V			
DSX CADSX 315-0,75	2520	2,35	1,35	-	0,55	4000	32
DSX CADSX 315-1	2800	3,13	1,80	-	0,75	4500	34
DSX CADSX 315-1,5	3250	4,35	2,50	-	1,10	5050	36
DSX CADSX 315-2	3550	5,83	3,35	-	1,50	5650	39
DSX CADSX 315-3	4000	7,60	4,37	-	2,20	6400	42
DSX CADSX 355-0,75	2100	2,43	1,40	-	0,55	4750	41
DSX CADSX 355-1	2300	3,13	1,80	-	0,75	5200	44
DSX CADSX 355-1,5	2600	4,35	2,50	-	1,10	6000	46
DSX CADSX 355-2	2875	5,83	3,35	-	1,50	6650	48
DSX CADSX 355-3	3350	7,60	4,37	-	2,20	7500	53
DSX CADSX 355-4	3600	10,35	5,95	-	3,00	8200	57
DSX CADSX 400-0,75	1730	2,35	1,35	-	0,55	5600	49
DSX CADSX 400-1	1900	3,30	1,90	-	0,75	6100	52
DSX CADSX 400-1,5	2180	4,50	2,59	-	1,10	7000	54
DSX CADSX 400-2	2400	5,83	3,35	-	1,50	7700	56
DSX CADSX 400-3	2750	7,60	4,37	-	2,20	8800	59
DSX CADSX 400-4	3050	10,35	5,95	-	3,00	9800	64
DSX CADSX 400-5,5	3300	13,22	7,60	-	4,00	10500	72
DSX CADSX 450-0,75	1230	2,43	1,40	-	0,55	5800	61
DSX CADSX 450-1	1380	3,30	1,90	-	0,75	6500	64
DSX CADSX 450-1,5	1550	4,50	2,59	-	1,10	7500	66
DSX CADSX 450-2	1700	6,00	3,45	-	1,50	8050	68
DSX CADSX 450-3	1950	8,35	4,80	-	2,20	9050	72
DSX CADSX 450-4	2200	10,35	5,95	-	3,00	10100	76

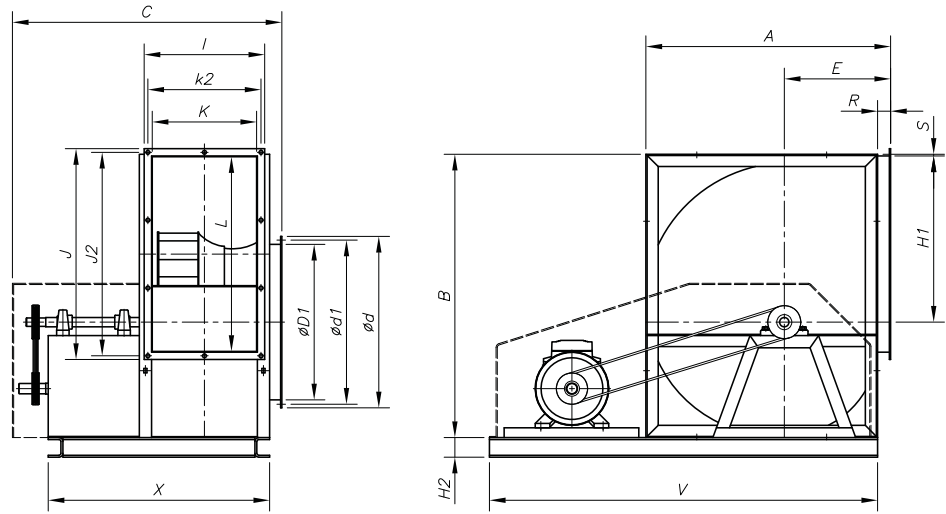
Technical characteristics

Model	Speed (r/min)	Maximum admissible			Installed Power (kW)	Maximum Airflow (m³/h)	Approx. weight (kg)
		(A) 230V	400V	690V			
DSX CADSX 450-7,5	2600	-	10,50	6,09	5,50	12500	95
DSX CADSX 450-10	2980	-	13,90	8,06	7,50	14000	100
DSX CADSX 450-12,5	3150	-	16,80	9,74	9,20	15000	108
DSX CADSX 500-1,5	1250	4,50	2,59	-	1,10	8200	88
DSX CADSX 500-2	1380	6,00	3,45	-	1,50	9000	90
DSX CADSX 500-3	1560	8,35	4,80	-	2,20	10200	93
DSX CADSX 500-4	1730	11,27	6,48	-	3,00	11500	98
DSX CADSX 500-5,5	1900	13,91	8,00	-	4,00	12500	107
DSX CADSX 500-7,5	2130	-	11,10	6,43	5,50	14000	116
DSX CADSX 500-10	2300	-	13,90	8,06	7,50	15500	121
DSX CADSX 500-12,5	2500	-	16,80	9,74	9,20	16500	130
DSX CADSX 500-15	2600	-	20,50	11,88	11,00	17500	156
DSX CADSX 560-2	1200	6,00	3,45	-	1,50	11000	100
DSX CADSX 560-3	1380	8,35	4,80	-	2,20	12200	103
DSX CADSX 560-4	1500	11,27	6,48	-	3,00	14000	108
DSX CADSX 560-5,5	1670	13,91	8,00	-	4,00	15500	117
DSX CADSX 560-7,5	1850	-	11,10	6,43	5,50	16200	122
DSX CADSX 560-10	2050	-	14,80	8,58	7,50	18300	132
DSX CADSX 560-12,5	2200	-	16,80	9,74	9,20	20000	141
DSX CADSX 560-15	2300	-	20,50	11,88	11,00	21000	166
DSX CADSX 630-3	1060	8,35	4,80	-	2,20	13200	119
DSX CADSX 630-4	1150	11,27	6,48	-	3,00	14400	123
DSX CADSX 630-5,5	1300	13,91	8,00	-	4,00	16000	132
DSX CADSX 630-7,5	1450	-	11,10	6,43	5,50	18000	138
DSX CADSX 630-10	1600	-	14,80	8,58	7,50	19800	147
DSX CADSX 630-12,5	1700	-	17,50	10,14	9,20	21600	156
DSX CADSX 630-15	1820	-	22,00	12,75	11,00	23040	181
DSX CADSX 630-20	1890	-	29,00	16,81	15,00	25200	202
DSX CADSX 710-4	1000	11,27	6,48	-	3,00	17280	186
DSX CADSX 710-5,5	1100	13,91	8,00	-	4,00	19080	195
DSX CADSX 710-7,5	1200	-	11,10	6,43	5,50	20880	200
DSX CADSX 710-10	1350	-	14,80	8,58	7,50	23760	210
DSX CADSX 710-12,5	1480	-	17,50	10,14	9,20	25920	219
DSX CADSX 710-15	1550	-	22,00	12,75	11,00	27720	244
DSX CADSX 710-20	1680	-	29,00	16,81	15,00	29880	265
DSX CADSX 710-25	1790	-	36,50	21,16	18,50	32100	285
DSX 800-4	800	11,27	6,48	-	3,00	20800	226
DSX 800-5,5	880	13,91	8,00	-	4,00	22680	234
DSX 800-7,5	970	-	11,10	6,43	5,50	25100	240
DSX 800-10	1070	-	14,80	8,58	7,50	27720	250
DSX 800-12,5	1150	-	17,50	10,14	9,20	30000	259
DSX 800-15	1230	-	22,00	12,75	11,00	32040	284
DSX 800-20	1350	-	29,00	16,81	15,00	34000	305
DSX 800-25	1450	-	36,50	21,16	18,50	37800	325
DSX 800-30	1540	-	42,00	24,35	22,00	40000	344
DSX 900-4	650	11,27	6,48	-	3,00	23760	281
DSX 900-5,5	720	13,91	8,00	-	4,00	26000	289
DSX 900-7,5	790	-	11,10	6,43	5,50	29500	295
DSX 900-10	860	-	14,80	8,58	7,50	32100	305
DSX 900-12,5	940	-	17,50	10,14	9,20	34200	314
DSX 900-15	1020	-	22,00	12,75	11,00	37900	339
DSX 900-20	1120	-	29,00	16,81	15,00	42000	360
DSX 900-25	1190	-	36,50	21,16	18,50	43500	380
DSX 900-30	1250	-	42,00	24,35	22,00	45500	399
DSX 900-40	1400	-	59,00	34,20	30,00	51000	453
DSX 1000-5,5	600	13,91	8,00	-	4,00	30500	342
DSX 1000-7,5	660	-	11,10	6,43	5,50	33000	348
DSX 1000-10	730	-	14,80	8,58	7,50	37000	358
DSX 1000-12,5	790	-	17,50	10,14	9,20	40000	366
DSX 1000-15	840	-	22,00	12,75	11,00	42500	392
DSX 1000-20	940	-	29,00	16,81	15,00	46000	413
DSX 1000-25	1000	-	36,50	21,16	18,50	50000	432
DSX 1000-30	1060	-	42,00	24,35	22,00	52500	452
DSX 1000-40	1160	-	59,00	34,20	30,00	59000	506
DSX 1000-50	1260	-	68,00	39,42	37,00	64000	549

DECORATIVE FANS
 WALL MOUNTED FANS
 DUCT FANS
 DIDW FANS
 SISW FANS
 ROOF TOP FANS
 AXIAL IN LINE FANS
 SMOKE FANS
 ACCESSORIES

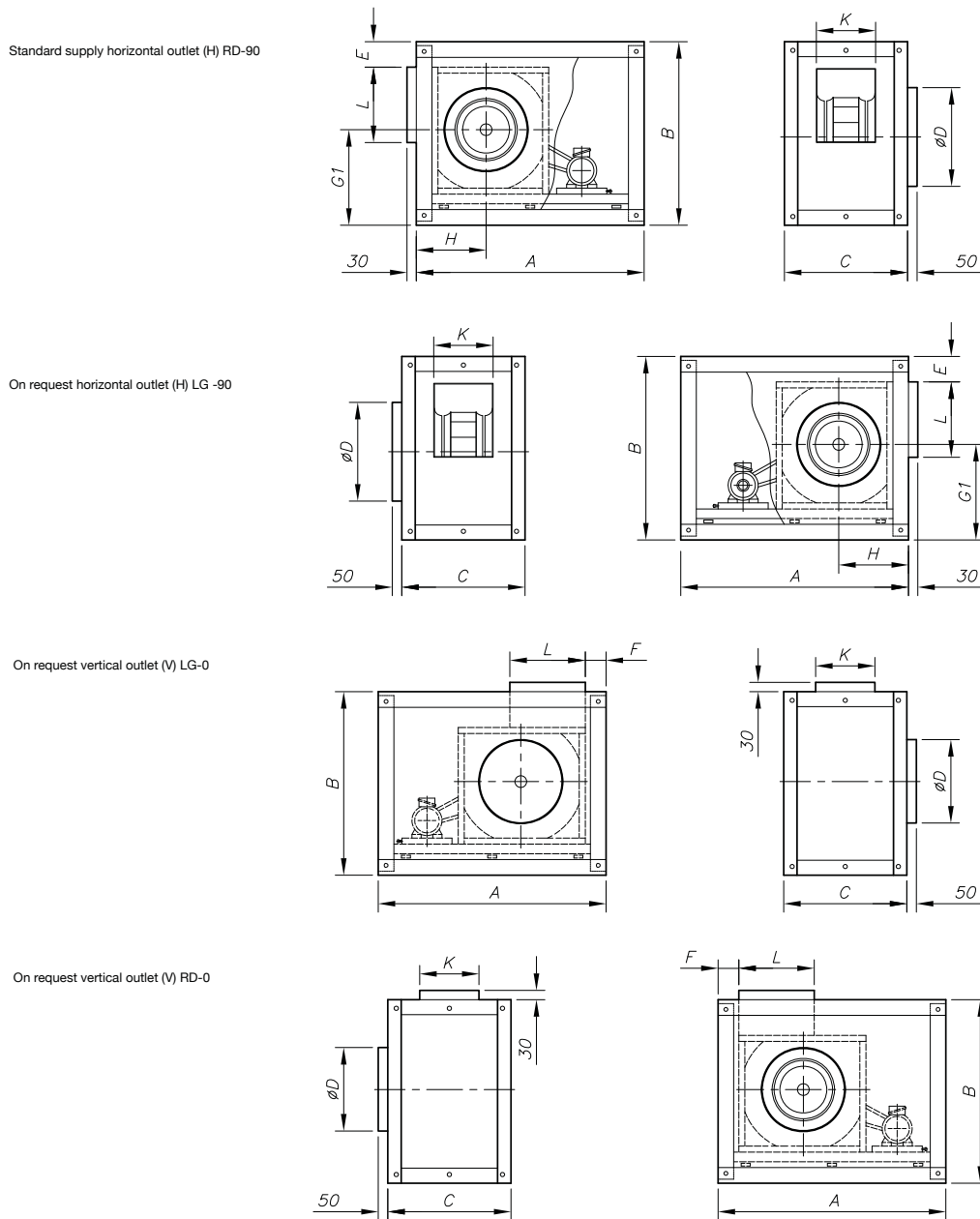
Dimensions in mm

Standard supply RD-90



	A	B	C	ød	ød1	øD1	E	H1	H2	I	J	J2	K	k2	L	R	S	V	X
DSX-315	518	578	700	383	344	322	236	340	80	259	460	434	223	233	404	38	3	920	556
DSX-355	578	655	775	423	386	362	261	383	80	286	509	483	247	260	453	30	6	980	627
DSX-400	661	736	800	466	432	404	2902	431,5	80	316	563	537	274	290	507	38	4,5	1100	654
DSX-450	726	827	895	515	485	448	322	486	80	344	526	599	308	318	569	45	5	1200	728
DSX-500	800	918	930	570	544	510	352	538	80	376	694	668	344	350	638	50	5	1280	764
DSX-560	893	1030	1020	635	605	570	390	603	80	414	771	745	383	366	715	48	8	1400	855
DSX-630	999	1157	1065	700	670	635	434	678,5	80	460	867	831	432	434	801	53	7	1550	904
DSX-710	1121	1303	1185	778	750	722	485	765	80	512	964	928	478	483	898	63	7	1700	1005
DSX-800	1250	1468	1245	875	844	808	535	862	80	567	1063	1039	533	541	1007	69	7	1880	1060
DSX-900	1408	1648	1375	980	845	896	604	971	80	613	1186	1160	595	602	1130	89	7	2050	1191
DSX-1000	1541	1810	1450	1080	1044	996	657	1066	80	694	1323	1297	663	668	1267	79	9	2250	1259

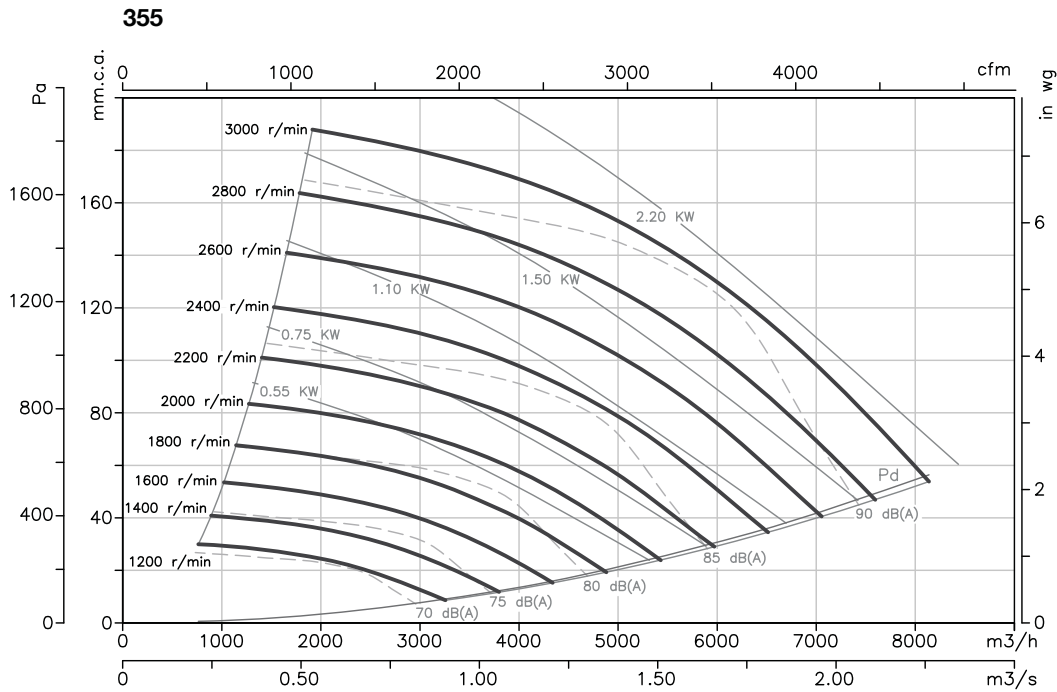
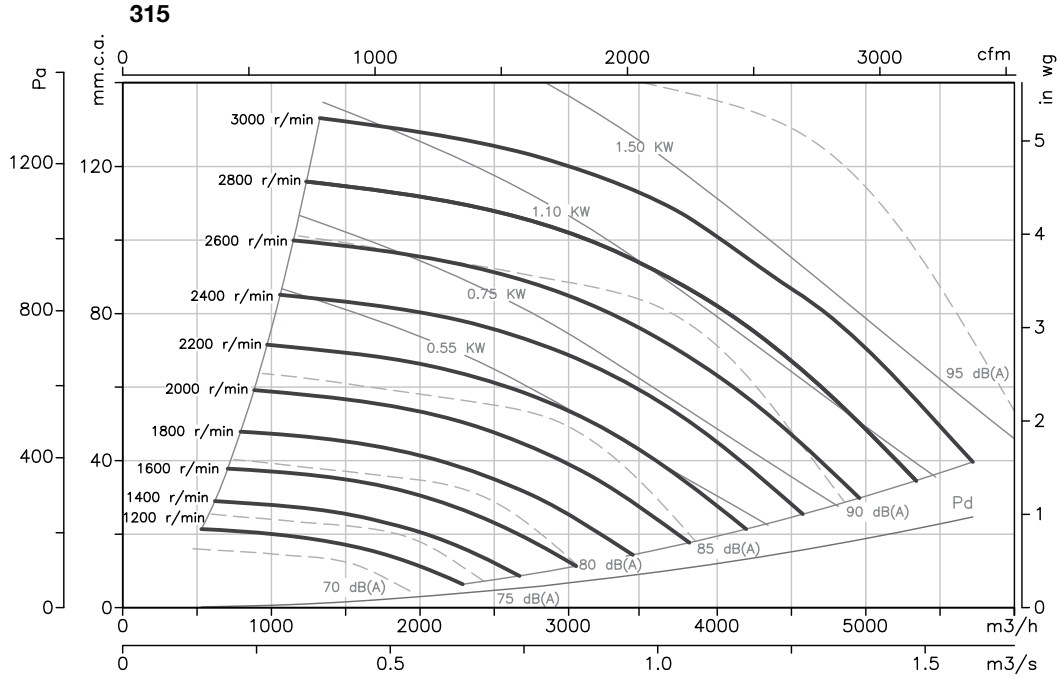
Dimensions in mm



	A	B	C	ØD	E	F	G1	H	L	K
CADSX-315-H	850	695	540	325	55,5	-	298	271	412	230
CADSX-315-V	895	650	540	325	-	41	345	385	412	230
CADSX-355-H	1000	788	600	365	72	-	329	312,5	461,5	256
CADSX-355-V	1035	755	600	365	-	34	378	380	461,5	256
CADSX-400-H	1200	875	620	405	76,5	-	363	341,5	515,5	282
CADSX-400-V	1200	875	620	405	-	33	424	469	515,5	282
CADSX-450-H	1250	975	670	450	86	-	396	373,5	577,5	316
CADSX-450-V	1300	925	670	450	-	35	467	524	577,5	316
CADSX-500-H	1300	1175	734	515	195	-	438	397	646,5	352
CADSX-500-V	1401	995	734	515	-	44	510,5	584	646,5	352
CADSX-560-H	1400	1250	766	575	141,5	-	502,5	435	723	392
CADSX-560-V	1500	1080	766	575	-	39	585,5	643,5	723	392
CADSX-630-H	1500	1380	823	640	143,5	-	55	479	809	440
CADSX-630-V	1700	1220	823	640	-	64	647,5	745,5	809	440
CADSX-710-H	1750	1600	857	730	217	-	613,5	530	907	486
CADSX-710-V	1850	1390	857	730	-	26	718,5	794	907	486

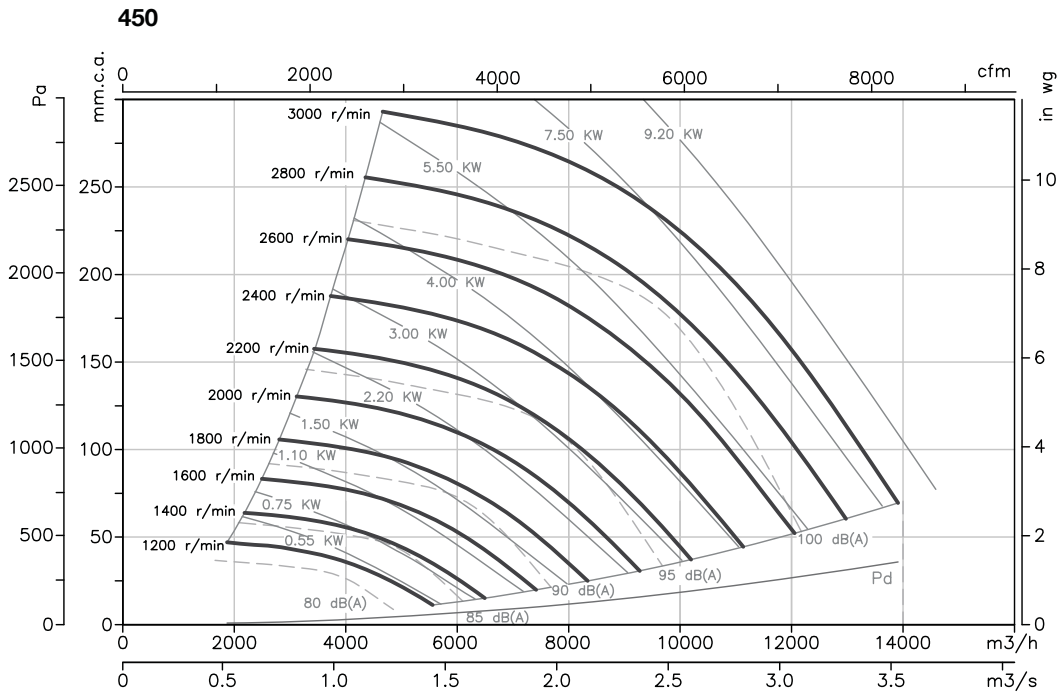
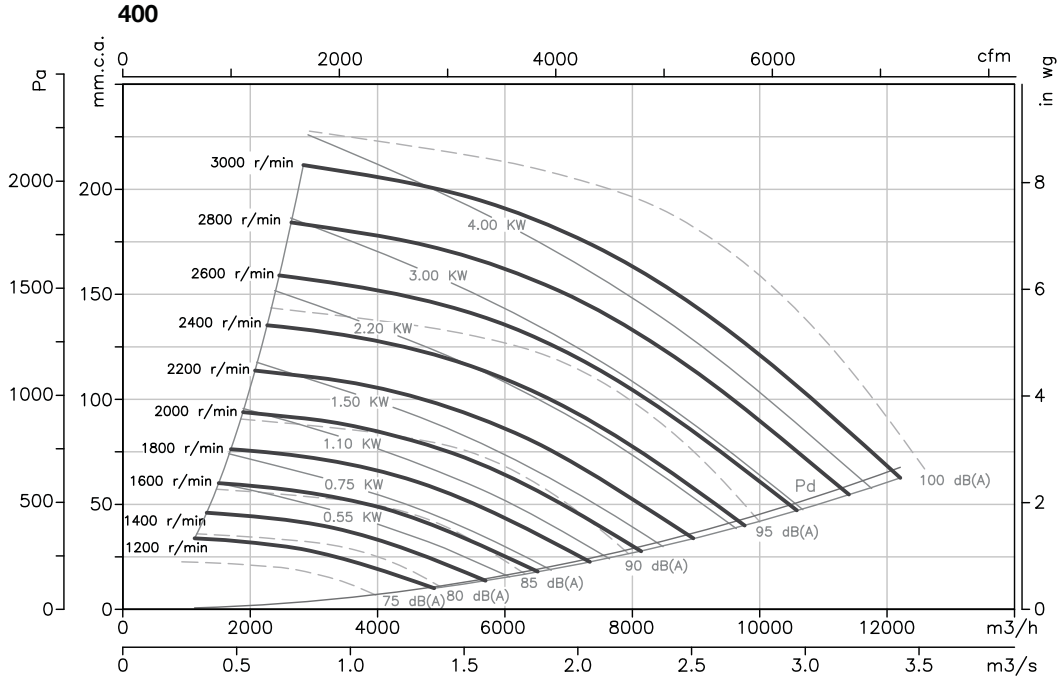
Characteristic curves

Q = Airflow in m³/h, m³/s and cfm.
 Pe = Static pressure in mm.w.c., Pa and in wg.



Characteristic curves

Q = Airflow in m³/h, m³/s and cfm.
 Pe = Static pressure in mm.w.c., Pa and in wg.



DECORATIVE FANS

WALL MOUNTED FANS

DUCT FANS

DIDW FANS

SISW FANS

ROOF TOP FANS

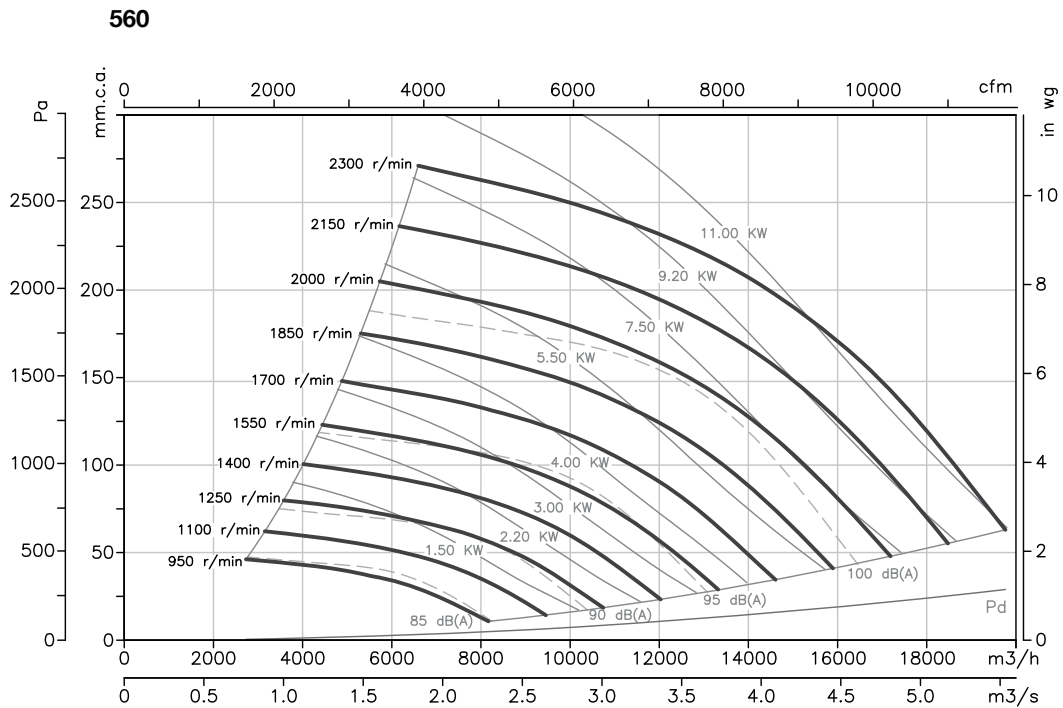
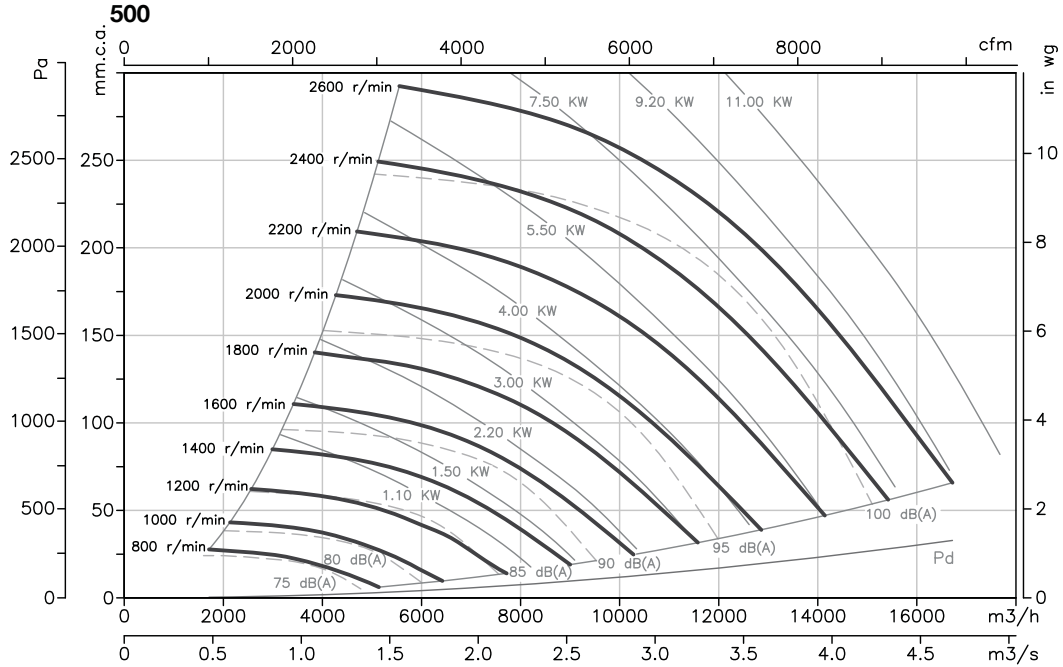
AXIAL IN LINE FANS

SOMKE FANS

ACCESSORIES

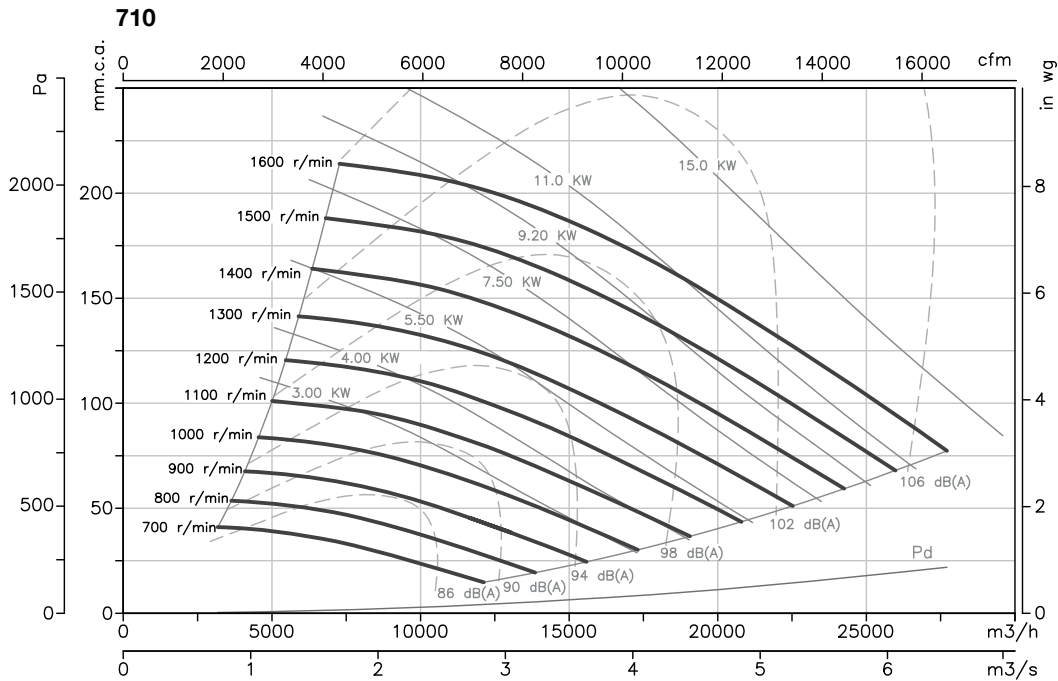
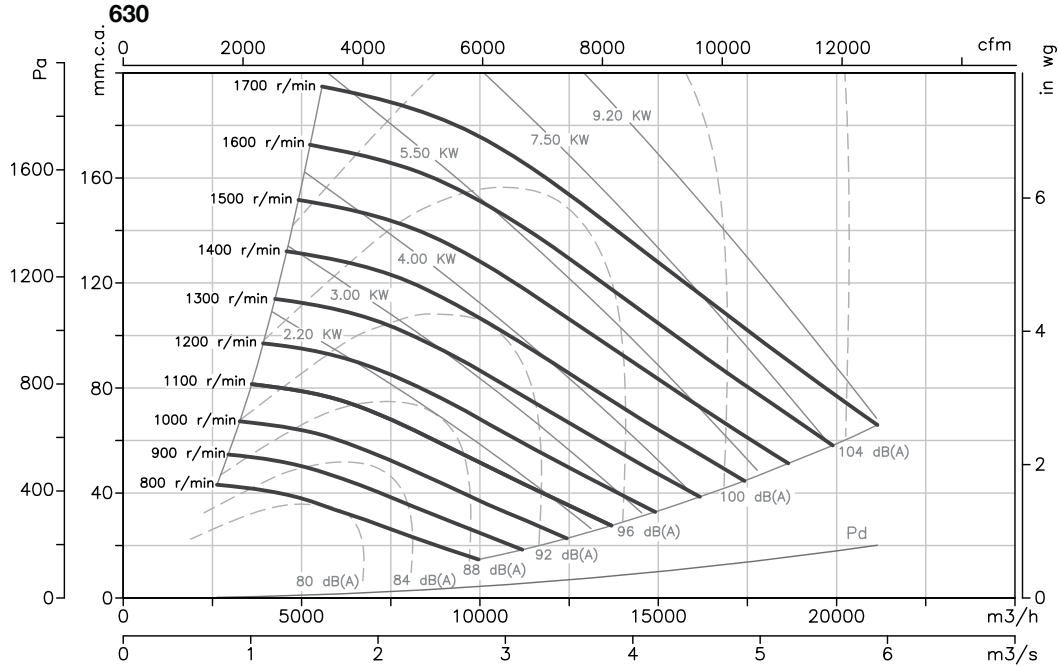
Characteristic curves

Q = Airflow in m³/h, m³/s and cfm.
 Pe = Static pressure in mm.w.c., Pa and in wg.



Characteristic curves

Q = Airflow in m³/h, m³/s and cfm.
 Pe = Static pressure in mm.w.c., Pa and in wg.



DECORATIVE FANS

WALL MOUNTED FANS

DUCT FANS

DIDW FANS

SISW FANS

ROOF TOP FANS

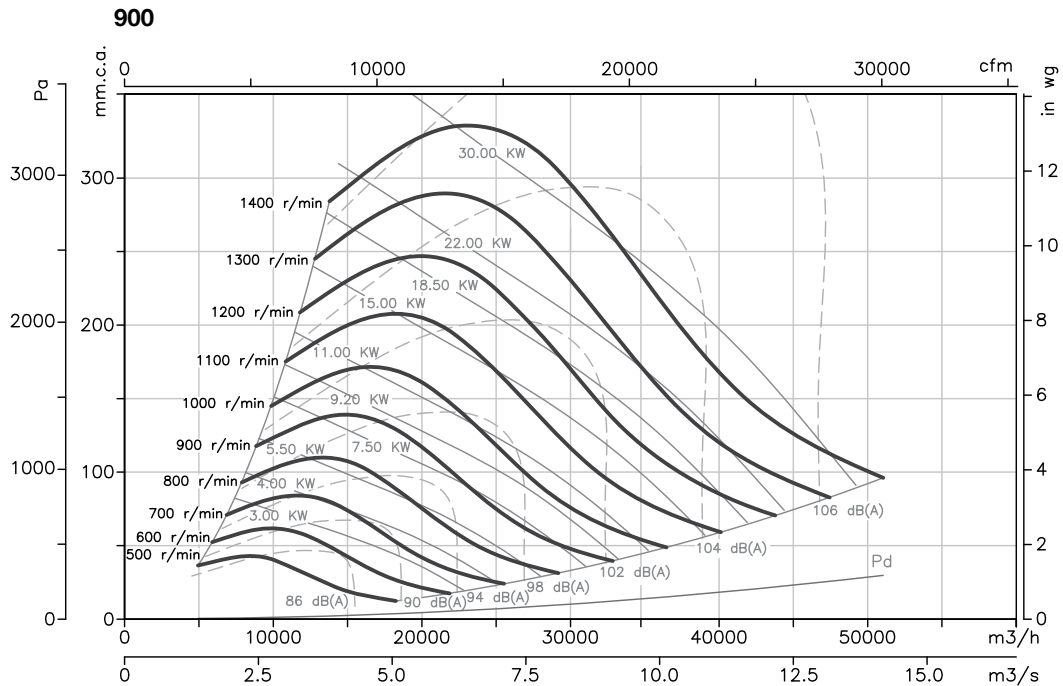
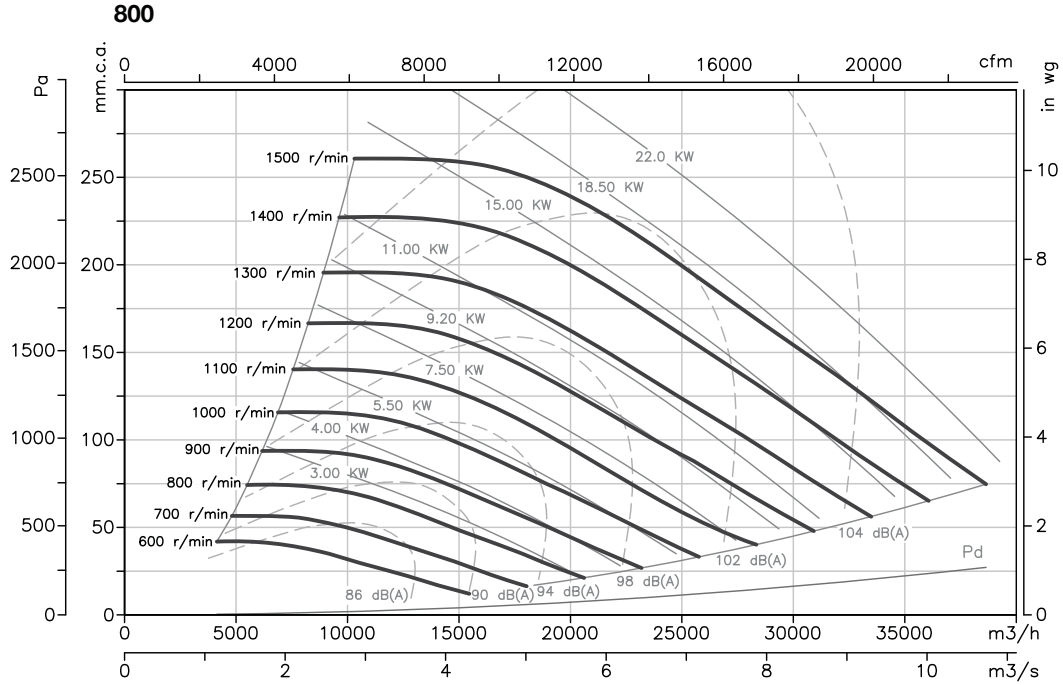
AXIAL IN LINE FANS

SOMKE FANS

ACCESSORIES

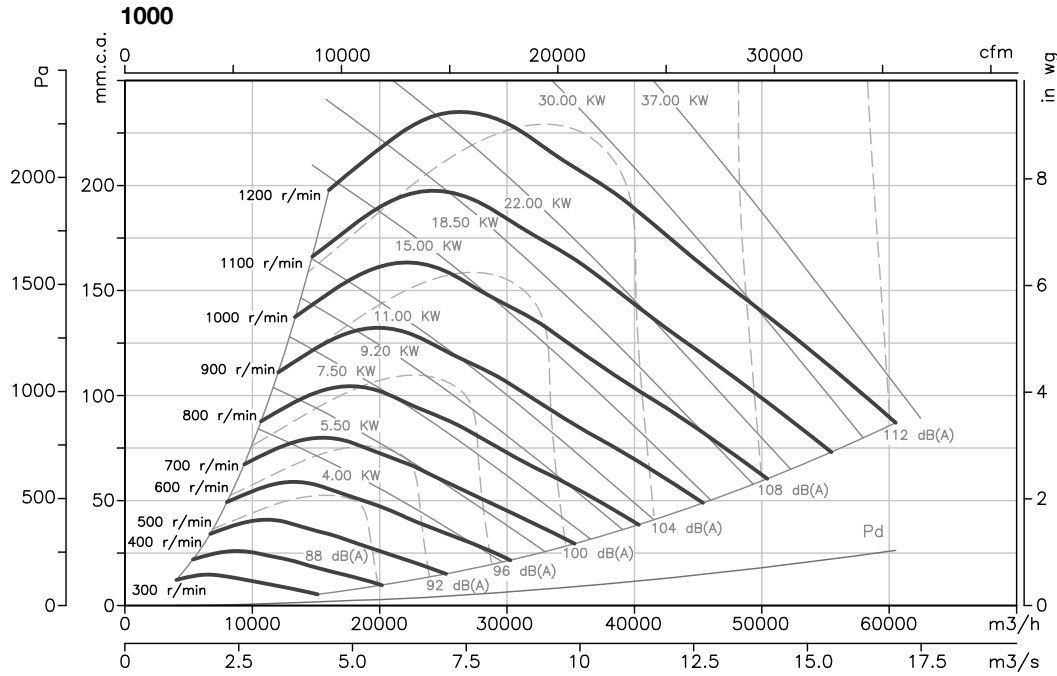
Characteristic curves

Q = Airflow in m³/h, m³/s and cfm.
 Pe = Static pressure in mm.w.c., Pa and in wg.



Characteristic curves

Q = Airflow in m³/h, m³/s and cfm.
 Pe = Static pressure in mm.w.c., Pa and in wg.



curves according to sisteven standard

DECORATIVE FANS

WALL MOUNTED FANS

DUCT FANS

DIDW FANS

SISW FANS

ROOF TOP FANS

AXIAL IN LINE FANS

SOMKE FANS

ACCESSORIES